

UTICA Pneumatic 210
Second Edition



UTICA
Pneumatic
210
Second Edition
January, 1967

Instruction and Parts Book
for

PNEUMATIC

CP-50, CP-60, CP-80 & CP-90

BOYER
RIVETING HAMMERS

Model "A"

Supersedes
First Edition
July, 1965

*When ordering spare parts,
give Name, Speed or Size,
Model and Serial Number
of the tool and Part Num-
ber and Description of each
part desired.*

Chicago Pneumatic

TOOL COMPANY

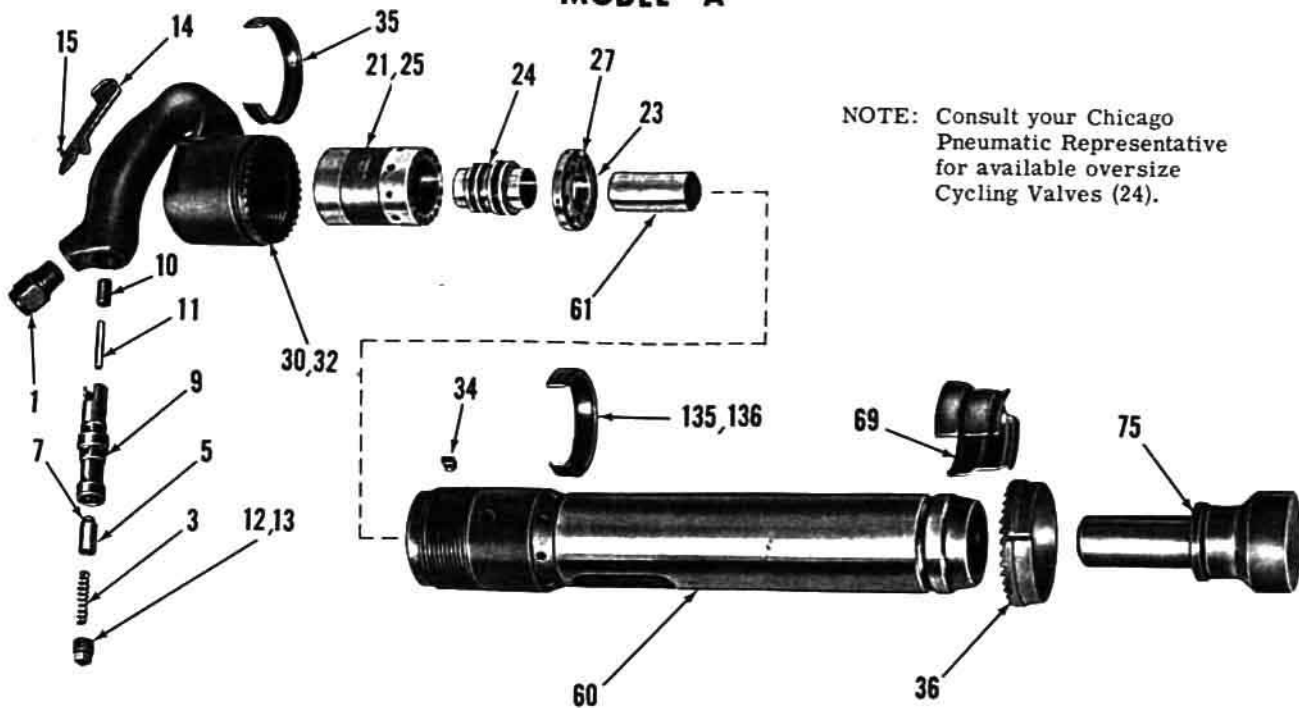
6 East 44th Street • New York, N.Y. 10017

CHICAGO PNEUMATIC BUILDING

UTICA Pneu 210

CP-50, CP-60, CP-80 & CP-90 BOYER RIVETING HAMMERS

MODEL "A"



NOTE: Consult your Chicago Pneumatic Representative for available oversize Cycling Valves (24).

TABLE 1

Tool	Cylinder Part Number	
	Straight Shank	Parker Taper Shank
CP-50	P-1137	P-6571
CP-60	P-1003	P-1010
CP-80	P-1004	P-1011
CP-90	P-1005	P-1012

TABLE 2

Piston Length (Inches)	Part Number
2	P-1362
2 1/4	P-1211
2 1/2	P-1212
3	P-1222
4	P-1215

PARTS LIST

Index No.	CP Part No.	Description	No. Req'd.	Index No.	CP Part No.	Description	No. Req'd.
1	P-1983	Air Inlet Bushing (Incl. Screen) (3/8" NPTF)	1	30	P-7155	Handle Complete (Incl: Index No's. 1, 3, 5, 11, 12, 14, 15 & 32)	1
3	P-1853	Throttle Valve Spring	1	32	P-7348	Handle (Incl: Index No. 9)	1
5	P-1799	Throttle Valve (Incl: Index No. 7)	1	34	P-1419	Lock Collar Key	1
7	P-83071	"O" Ring (Linear #11 - 011)	1	35	P-1373	Lock Collar Spring Clip	1
9	P-7198	Throttle Valve Tube (Incl: Index No. 10)	1	36	P-1398	Lock Collar	1
10	P-4839	Push Pin Bushing	1	60	See Table 1	Cylinder	1
11	P-4834	Push Pin	1	61	See Table 2	Piston	1
12	P-1873	Throttle Tube Plug	1	69	P-1381*	Set Retainer Clip	1
13	P-7199	Throttle Valve Complete (Incl: Index No's. 3, 5, 9, 11 & 12)	1	75	P-88751**	Set Blank (Straight)	1
14	P-1929	Throttle Lever	1		P-90685**	Set Blank (Parker Taper)	1
15	P-1915	Throttle Lever Pin	1		P-88762**	Set Blank (Ret. Type Str.)	1
21	P-7180	Valve Case Complete (Incl: Index No's. 23 thru 27)	1		P-90126**	Set Blank (Ret. Type PT)	1
23	P-6584	Valve Case Lid	1	135	P-1386	Exhaust Deflector (Incl: Index No. 136)	1
24	P-1535	Cycling Valve	1	136-	P-2301	Exhaust Deflector Rivet	1
25	P-6583	Valve Case	1				
27	P-1631	Valve Case Dowel	1				

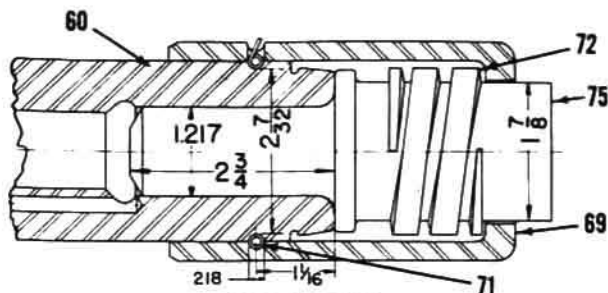
* Not furnished with tool, must be ordered separately.
** Not furnished with tool, see Catalog #564, Air Tools, for available rivet sets.

All Threads Are Right Hand Unless Otherwise Specified.

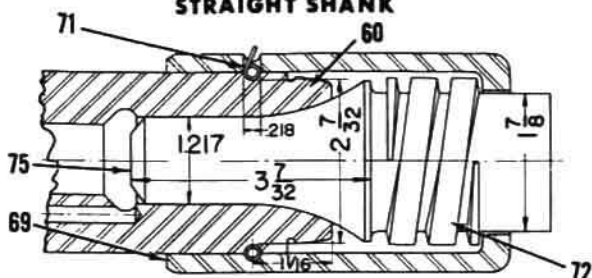
ARROW TYPE RIVET SET RETAINER

Index No.	CP Part No.	Description	No. Req'd.
60	See Table 1 Pg. 3	Cylinder	1
69	P-71534	Retainer Sleeve	1
71	P-70006	Lock Spring	1
72	P-2494	Set Retainer Spring	1
75	*	Rivet Set	

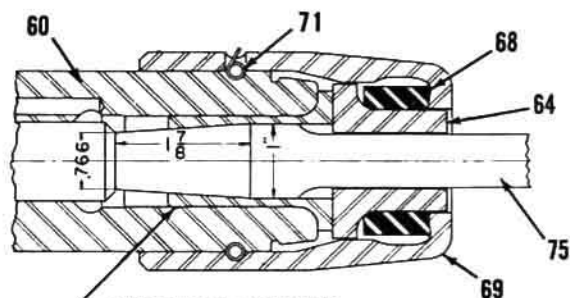
*Consult Catalog #564 for available Rivet Sets.



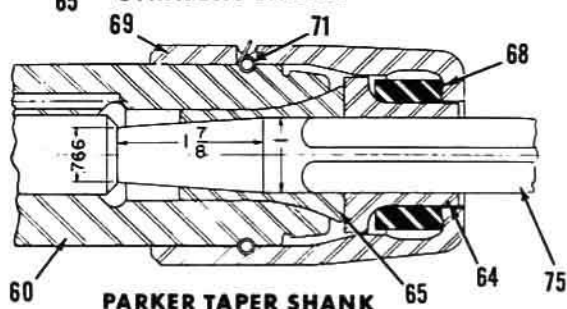
STRAIGHT SHANK



PARKER TAPER SHANK



STRAIGHT SHANK



PARKER TAPER SHANK

ARROW TYPE CHISEL RETAINER

HEAVY DUTY ASSEMBLIES | LIGHT TYPE ASSEMBLIES
 P-90869 (PARKER TAPER) | P-53799 (PARKER TAPER)
 P-90870 (STRAIGHT SHANK) | P-53800 (STRAIGHT SHANK)
 (ABOVE ASSEMBLIES INCLUDE INDEX NO.'S. 64 THRU 71)

Index No.	CP Part No.	Description	No. Req'd.
60	See Table 1 Pg. 3	Cylinder	1
64	P-70004	Lower Sleeve (Light Type)	1
	P-71201	Lower Sleeve (Heavy Duty)	1
65	P-70002	Upper Sleeve (Straight Shank)	1
	P-70003	Upper Sleeve (Parker Taper)	1
68	P-70005	Rubber Buffer	1
69	P-70016	Retainer Sleeve	1
71	P-70006	Lock Spring	1
75	See Tables 3 & 4 Below	Chisel	1



HEAVY DUTY CHISELS

LIGHT TYPE CHISELS

TABLE 3

Chisel Type	Heavy Duty Chisels		Light Type Chisels	
	Part No.	Length (Inches)	Part No.	Length (Inches)
Moil Point	P-71208	10	P-71592	12
Cutting (Tight Rivets)	P-71203	8 3/4	P-70007	9 1/4
	(Loose Rivets)	P-71202		
Ripper	P-71207	8 1/2	P-70010	8 1/2
Boxsocket	P-98821	8 1/2		
Wrench Driver				
Drift Pin	P-98820	7 1/2		
Driver				

BACKING OUT PUNCHES

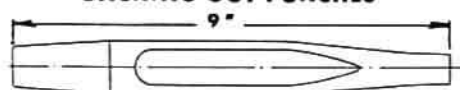


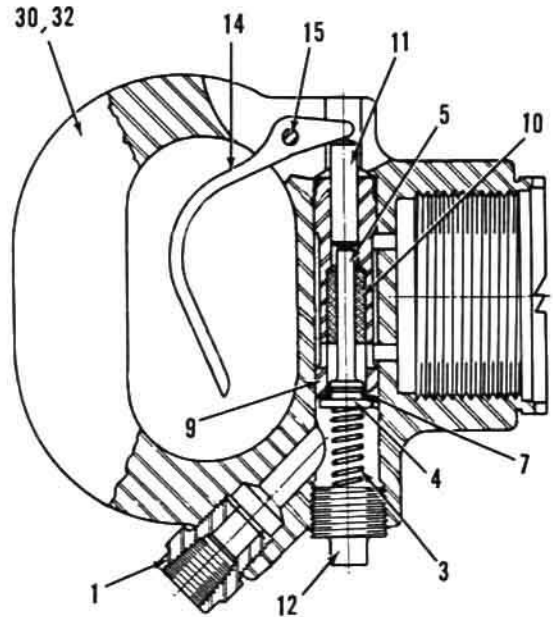
TABLE 4

Rivet Size (Inches)	Backing Out Punches	
	Heavy Duty	Light Type
3/8		P-71586
1/2		P-71588
5/8	P-71204	P-71009
3/4	P-71205	P-71590
7/8	P-71206	P-71591
1	P-72217	P-71596

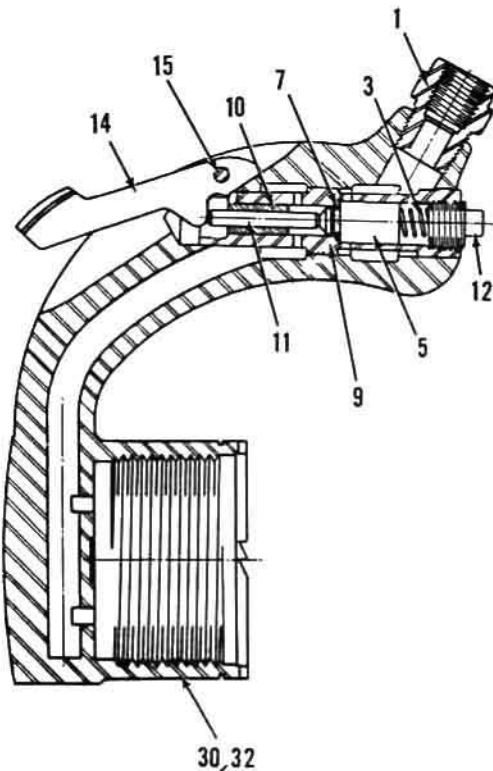
CLOSED HANDLE, INSIDE TRIGGER

PARTS LIST

Index No.	CP Part No.	Description	No. Req'd.
1	P-1983	Air Inlet Bushing(Incl.Screen) (3/8" NPTF)	1
3	P-1836	Throttle Valve Spring	1
4	P-92091	"O" Ring Cap	1
5	P-5153	Throttle Valve (Incl: Index No's. 4 & 7)	1
7	CA-88867	"O" Ring (Linear #11-110)	1
9	P-7846	Throttle Valve Tube (Incl: Index No. 10)	1
10	P-5157	Valve Stem Bushing	1
11	P-6138	Push Pin	1
12	P-1884	Throttle Hole Plug	1
14	P-6137	Throttle Lever	1
15	P-5171	Throttle Lever Pin	1
30	P-7380	Handle Complete (Incl: Index No's. 1, 3, 5, 11, 12, 14, 15 & 32)	1
32	P-77482	Handle (Incl: Index No. 9)	1



INVERTED HANDLE, OUTSIDE TRIGGER



PARTS LIST

Index No.	CP Part No.	Description	No. Req'd.
1	P-1983	Air Inlet Bushing(Incl.Screen)	1
3	P-1853	Throttle Valve Spring	1
5	P-1799	Throttle Valve (Incl: Index No. 7)	1
7	P-83071	"O" Ring (Linear #11-011)	1
9	P-7198	Throttle Valve Tube (Incl: Index No. 10)	1
10	P-4839	Push Pin Bushing	1
11	P-4834	Push Pin	1
12	P-1873	Throttle Tube Plug	1
14	P-1929	Throttle Lever	1
15	P-1915	Throttle Lever Pin	1
30	P-7407	Handle Complete (Incl: Index No's. 1, 3, 5, 11, 12, 14, 15 & 32)	1
32	P-7166	Handle (Incl: Index No. 9)	1

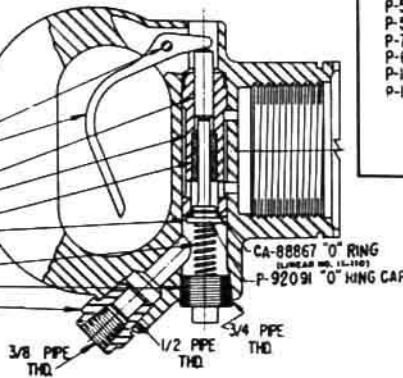
HANDLES PREVIOUSLY FURNISHED

(SPARE PARTS AVAILABLE AS ILLUSTRATED)

* HANDLE COMPLETE CLOSED HANDLE-LFT TRG GRADUATED SEATING VALVE

- P-571 THROTTLE LEVER PIN
- P-637 THROTTLE LEVER
- P-638 THROTTLE VALVE PUSH PIN
- P-7846 THROTTLE TUBE (P-1836)
- P-567 THROTTLE VALVE STEM BUSHG
- P-563 THROTTLE VALVE (P-6009, CA-88867)
- * HANDLE (P-7846) TUBE (P-1836)
- P-1836 THROTTLE VALVE SPRING
- P-1884 THROTTLE HOLE PLUG
- P-1983 AIR STRAINER

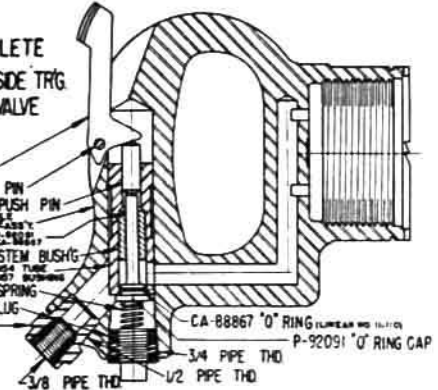
* NO LONGER FURNISHED



* HANDLE COMPLETE CLOSED HANDLE-OUTSIDE TRG GRADUATED SEATING VALVE

- P-191 THROTTLE LEVER
- P-195 THROTTLE LEVER PIN
- P-566 THROTTLE VALVE PUSH PIN
- * HANDLE (P-7846) TUBE (P-1836)
- P-563 THROTTLE VALVE (P-6009, CA-88867)
- P-567 THROTTLE VALVE STEM BUSHG
- P-7923 THROTTLE TUBE (P-1836)
- P-670 THROTTLE VALVE SPRING
- P-1884 THROTTLE HOLE PLUG
- P-1983 AIR STRAINER

* NO LONGER FURNISHED

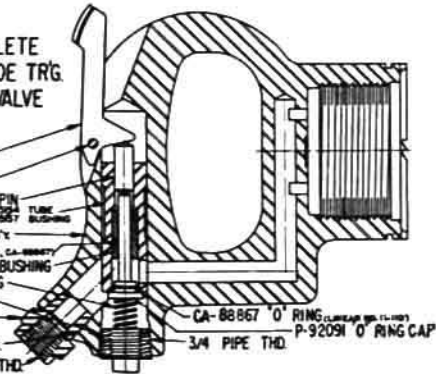


* HANDLE COMPLETE CLOSED HANDLE-OUTSIDE TRG GRADUATED SEATING VALVE

- P-191 THROTTLE LEVER
- P-195 THROTTLE LEVER PIN
- P-566 THROTTLE VALVE PUSH PIN
- P-7923 THROTTLE VALVE TUBE (P-1836)
- * HANDLE (P-7846) TUBE (P-1836)
- P-563 THROTTLE VALVE (P-6009, CA-88867)
- P-567 THROTTLE VALVE STEM BUSHING
- P-670 THROTTLE VALVE SPRING
- P-1884 THROTTLE HOLE PLUG
- P-1983 AIR STRAINER

* NO LONGER FURNISHED

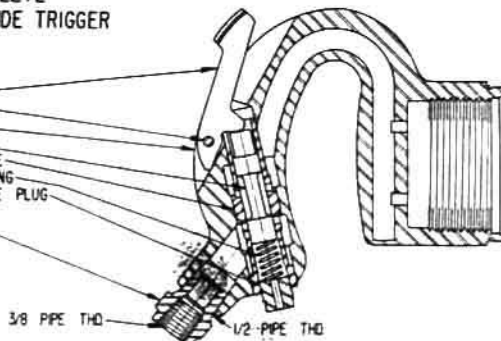
1/2 PIPE THD
3/8 PIPE THD



* HANDLE COMPLETE OPEN HANDLE- OUTSIDE TRIGGER PISTON VALVE

- P-1929 THROTTLE LEVER
- P-1915 THROTTLE LEVER PIN
- * HANDLE (P-7846) TUBE (P-1836)
- P-1257 THROTTLE VALVE
- * THROTTLE VALVE TUBE
- P-1836 THROTTLE VALVE SPRING
- * THROTTLE VALVE TUBE PLUG
- P-1983 AIR STRAINER

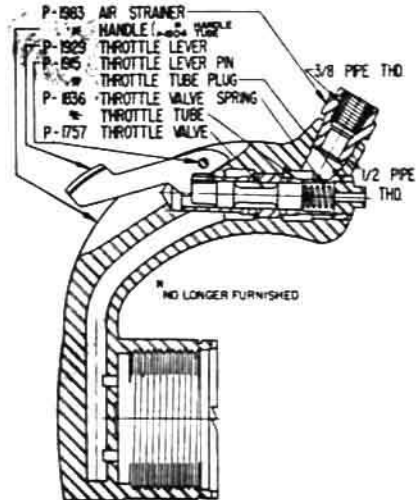
* NO LONGER FURNISHED



* INVERTED HANDLE COMPLETE OUTSIDE TRIGGER PISTON TYPE VALVE

- P-1983 AIR STRAINER
- * HANDLE (P-7846) TUBE (P-1836)
- P-1929 THROTTLE LEVER
- P-1915 THROTTLE LEVER PIN
- * THROTTLE VALVE TUBE PLUG
- P-1836 THROTTLE VALVE SPRING
- P-1757 THROTTLE VALVE

* NO LONGER FURNISHED



* HANDLE COMPLETE OPEN HANDLE-OUTSIDE TRIGGER GRADUATED SEATING VALVE

- * HANDLE (P-7846) TUBE (P-1836)
- P-1929 THROTTLE VALVE LEVER
- P-4834 THROTTLE VALVE PUSH PIN
- P-1915 THROTTLE LEVER PIN
- P-7198 THROTTLE TUBE (P-1836)
- P-1799 THROTTLE VALVE (P-6009)
- P-1853 THROTTLE VALVE SPRING
- P-1873 THROTTLE TUBE PLUG
- P-1983 AIR STRAINER

* NO LONGER FURNISHED

3/8 PIPE THD

P-4839 PUSH PIN BUSHING
P-83071 "O" RING (LINEAR NO. 11-101)

1/2" PIPE THD

