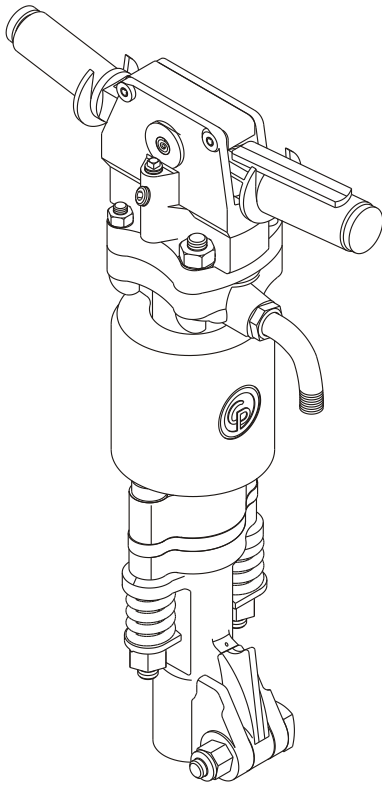




# **Spare Parts List**

## **CP 1230 Demolition tool**



[www.cp.com](http://www.cp.com)

 **Chicago  
Pneumatic**

**2005-09**  
**No. 9800 0530 01**

© Copyright  
Stockholm, Sweden

**Contents****Pages**

General information.....	4
Exploded views and tables .....	6-7

## GENERAL INFORMATION

Welcome! Protect your investment in the world's finest air tools. Use genuine CP replacement parts.

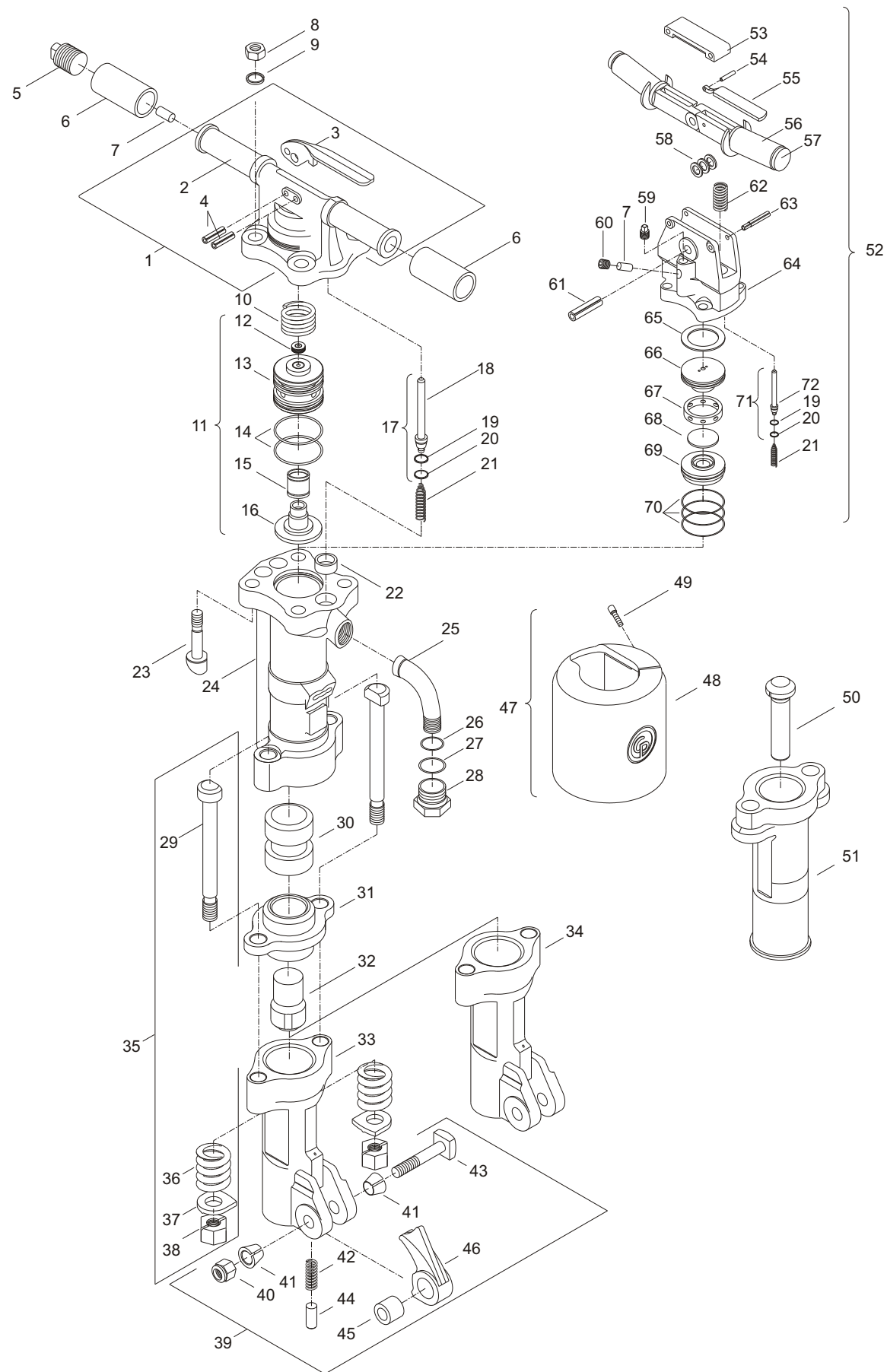
The purchase of replacement parts for your CP tools deserves the same good judgment that resulted in the buying of the tools themselves. Each genuine CP part is made from carefully selected and inspected material, subjected to sophisticated machinery and finishing processes and heat-treated to produce just the right combination of hardness, ductility and impact resistance for its intended use. All parts are manufactured concurrently with those used in production tools, and are identical to them. The use of parts other than genuine CP replacement parts can lead to substandard performance, early failure, possible damage of other parts and, in some instances, unsafe conditions.

To reduce the risk of injury, read and understand the Operating Instructions manual and the percussion tool safety instructions before operating the tool.

CP 1230 is a pneumatic tool designed to deliver the power and durability necessary for a variety of construction and plant maintenance work such as breaking heavy concrete, reinforced concrete, frozen ground, macadam, boulders and pavement. It has a four-bolt back head design.



# EXPLODED VIEW OF CP 1230 S & VRS



Ref. No.	Ordering No.	Qty.	Description
1	F815390	1	Backhead assembly (Includes item No. 2, 3, 4 & 5)
2		1	Backhead
3	F814725	1	Lever - Throttle
4	R133433	2	Pin - Spirol
5	R075031	1	Plug - Oil
6	F816345	2	Grip - Rubber
7	C036901	1	Plug - Oil regulator
8	R006131	4	Nut - Hex.
9	P006239	4	Lock washer
10	R047961	1	Spring - Valve case
11	R122157	1	Valve case assembly (Includes item No. 12, 13, 14, 15 & 16)
12	P009876	1	Plug - Pipe
13	R047958	1	Case - Valve
14	R049854	2	O-ring
15	R047959	1	Valve
16	R047960	1	Lid - Valve case
17	R092894	1	Valve - Throttle (Includes item No. 18, 19 & 20)
18		1	Valve - Throttle
19	R098368	1	Seal - Throttle valve
20	R098369	1	Ring - Valve seal retaining
21	R005717	1	Spring - Throttle valve
22	R047965	1	Seal - Cylinder
23	R047962	4	Bolt - Backhead
24		1	Cylinder
25	R085269	1	Swivel - Air inlet
26	R110317	1	O-ring
27	P103521	1	O-ring
28	R000530	1	Nut - Inlet swivel
29	R047970	2	Bolt - Fronthead
30	R047967	1	Piston
31	R047966	1	Bushing - Anvil block
32	R085260	1	Block - Anvil
33	R047969	1	Fronthead (1 1/4" Hex.)
34	R047968	1	Fronthead (1 1/8" Hex.)
35	Z3628445	1	Side bolt kit, includes one pair of complete bolt assembly (Item No. 29, 36, 37 & 38)
36	R047971	2	Spring - Fronthead
37	R090584	2	Lock - Fronthead nut
38	R005721	2	Nut - Fronthead bolt
39	Z8319445	1	Latch kit (Includes item No. 40, 41, 42, 43, 44, 45 & 46)
40	P008999	1	Lock nut
41	R076562	2	Bushing - Retainer bolt
42	R086982	1	Spring - Plunger
43	R076853	1	Bolt - Latch
44	R092497	1	Plunger - Latch
45	R055818	1	Bushing
46	R092493	1	Latch - Retainer
47	K3216445	1	Muffler complete (Includes item No. 48 & 49)
48		1	Muffler
49	R117415	4	Screw - Allen cap
50	R085573	1	Block - Driving
51	R053916	1	Fronthead (Spike driver)
52	R145776	1	Backhead assembly (Includes item No. 53 to 72 & 7, 19, 20 & 21)
53	R157669	1	Cover - Buffer
54	R145866	1	Pin - Lever
55	R145781	1	Lever
56	R145788	2	Grip
57	R145780	2	Handle
58	R145861	3	Steel washer
59	R004975	1	Oil - Plug, square head
60	Q3217400	1	Plug
61	0108 1535 00	1	Pin - Roll
62	R145863	2	Spring
63	R157670	2	Pin - Stepped
64		1	Backhead
65	R146817	1	Gasket
66	R137339	1	Upper valve lid
67	R137337	1	Valve case
68	R137338	1	Valve
69	R145785	1	Lower valve lid
70	C137341	3	O-ring
71	R145782	1	Throttle valve (Includes item No. 72, 19 & 20)
72		1	Throttle valve



**2005-09**  
**No. 9800 0530 01**

© Copyright  
Stockholm, Sweden

