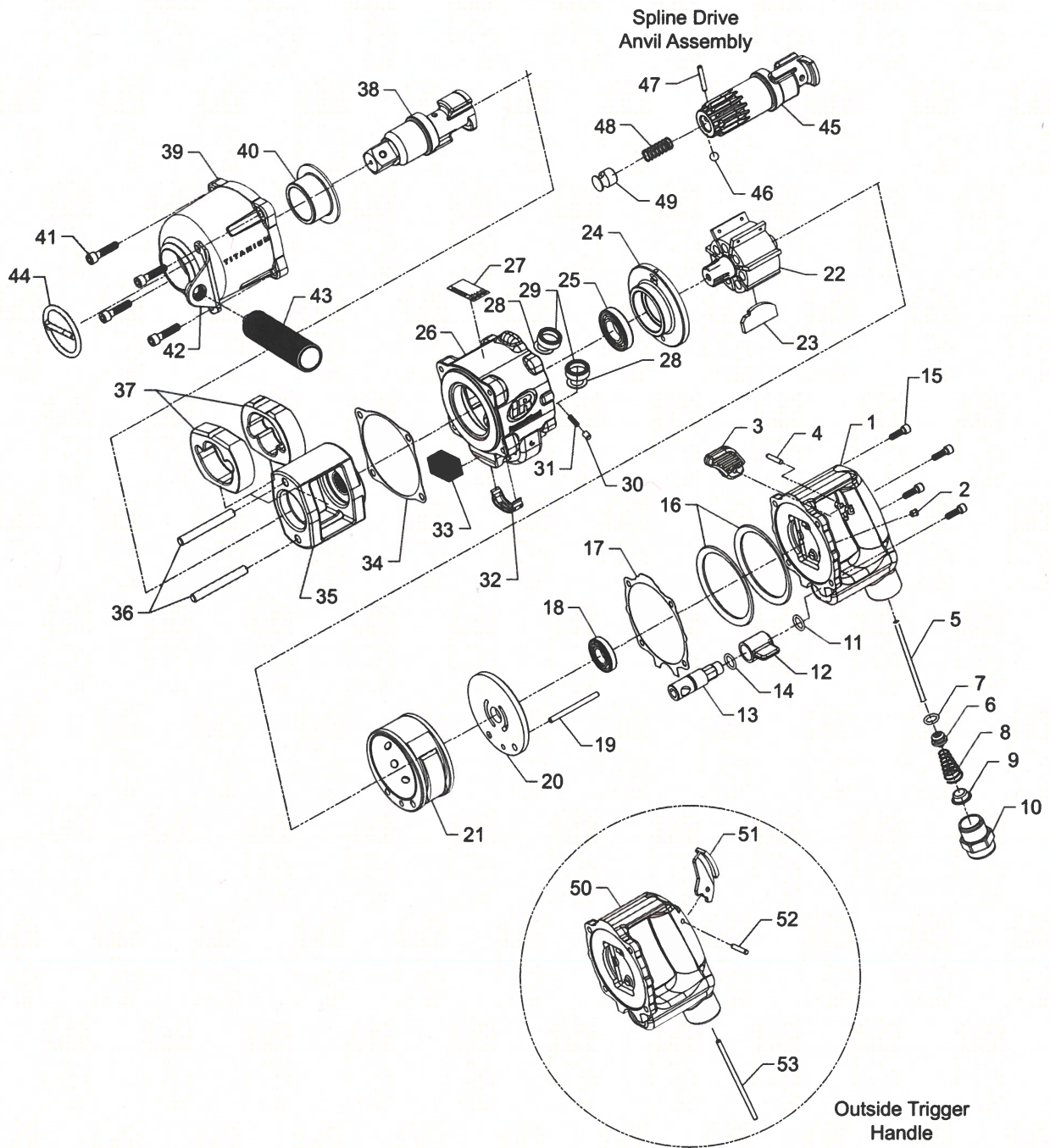


# 3955 Series Impact Wrench - Exploded View



(Dwg. 80164940)



## 3955 Series Impact Wrench - Parts List

Item	Part Description	Part Number	Item	Part Description	Part Number
1	Inside Trigger Handle Assembly	3955-A92	† 31	Reverse Lock Plunger Spring	4U-664-10
2	Grease Fitting	130SR-188	32	Exhaust Deflector	3940-123
3	Trigger	3940-93	† 33	Exhaust Silencer	3940P-311
4	Trigger Pin	280-265	† 34	Hammer Case Gasket	3955-36
5	Throttle Valve Plunger	3955-302	35	Hammer Frame Assembly	2950-A703
6	Throttle Valve Assembly	2934-A50	36	Hammer Pin (2)	2950-704
† ‡ 7	Throttle Valve Seal	2934-159	37	Hammer (2)	2950-724
† 8	Throttle Valve Spring	834-51-5	38	1-1/2" Square Drive Anvil, Standard Length	2950-726
† ‡ 9	Air Strainer Screen	434-61	39	Hammer Case Assembly	
10	Straight Inlet	845-565		for 3955A2Ti, 3955B1Ti, 3955B2Ti	3955-D727
† ‡ 11	Reverse Valve Seal	R00BR-210		for 3955B2TiEX	3955EX-D727
12	Reverse Lever	3940-75	40	Hammer Case Bushing	
13	Reverse Valve	3955-329		for 3955A2Ti, 3955B1Ti, 3955B2Ti	2950-541
† ‡ 14	Reverse Valve Bushing Seal	85H-167		for 3955B2TiEX	2950EX-541
15	Handle Cap Screw (4)	3955-638	41	Hammer Case Cap Screw (4)	3955-105
16	Motor Clamp Washer (2)	MR-207	42	Dead Handle Bracket	3955-364
† ‡ 17	Handle Gasket	3955-283	43	Dead Handle	3940-48
† 18	Rear Rotor Bearing	834-24	44	Socket Retainer	RR100205
19	Cylinder Dowel	2950-98	45	Spline Drive Anvil Assembly	VW-1030
20	Rear End Plate	2950-12	† 46	Socket Retaining Ball	D04-280
21	Cylinder	2950-3	† 47	Plunger Retaining Pin	845-128
22	Rotor	3955-53	† 48	Retaining Plunger Spring	2940-231-5
† ‡ 23	Vane Packet (set of 7 vanes)	2950-42-7	49	Retaining Ball Plunger	845-230
24	Front End Plate	3955-11	50	Outside Trigger Handle Assembly (includes 2, 6, 7, 8, 9, 10, 11, 51, 52, 53)	3955-A1
† 25	Front Rotor Bearing	TA-22A			
26	Motor Housing Assembly	3955-A40	51	Trigger	844-78
27	Warning Label for Impacttools	WARNING-2-99	52	Trigger Pin	280-265
† 28	Air Port Gasket Retainer (2)	2940-200	53	Throttle Valve Plunger	3955-302
† ‡ 29	Air Port Gasket (2)	R44H-210A	*	Grease Gun	R000A2-228
*	ATEX Spec Label	ATEX-301A	*	Tune-up Kit (includes 7, 8, 9, 11, 14, 17, 18, 23, 25, 28[2], 29[2], 30, 31, 33, 34, 46, 47 and 48)	3955-TK1
† 30	Reverse Lock Plunger	4U-663B			

\* Indicates not illustrated.

† Indicates Tune-up Kit part.

‡ Indicates common-wear parts. Maintain stock to reduce downtime.

### Parts and Maintenance

When tool life has expired, it is recommended that the tool be disassembled, degreased and parts separated by material for proper recycling.

Tool repair and maintenance should only be carried out by an authorized Service Center.

Refer all communications to the nearest **Ingersoll Rand** office or distributor.

### Related Documentation

Manuals can be downloaded from [ingersollrandproducts.com](http://ingersollrandproducts.com)

For additional information, refer to:

Product Safety Information Manual 04580916 and 47559151001(ATEX).

Product Information Manual 80160716.

Declaration of Conformity 47616445001.

